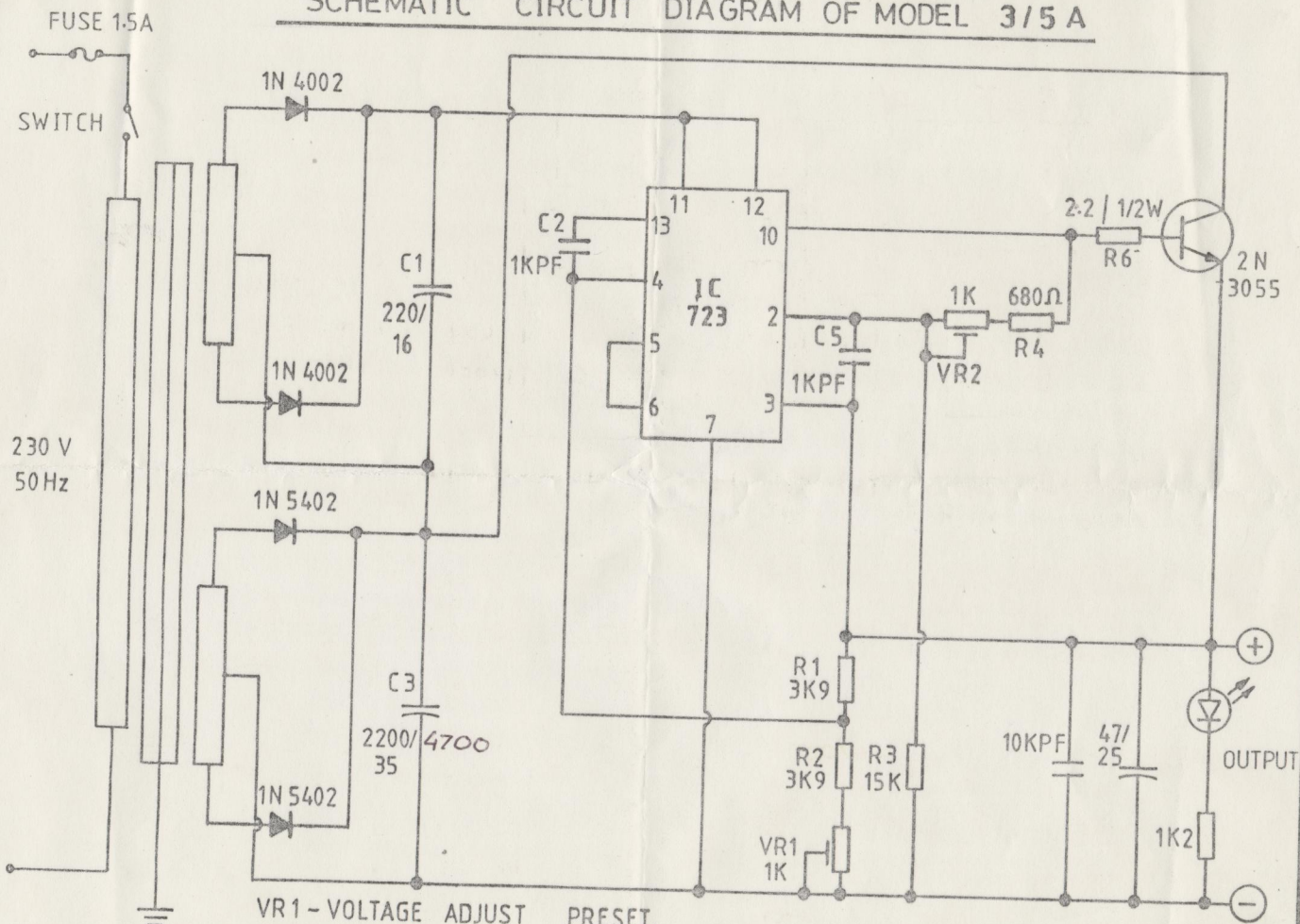


# SCHEMATIC CIRCUIT DIAGRAM OF MODEL 3/5 A



VR1 - VOLTAGE ADJUST PRESET.  
 VR2 - CURRENT LIMIT PRESET.  
 ALL RESISTORS 1/4W ±5% UNLESS OTHERWISE STATED

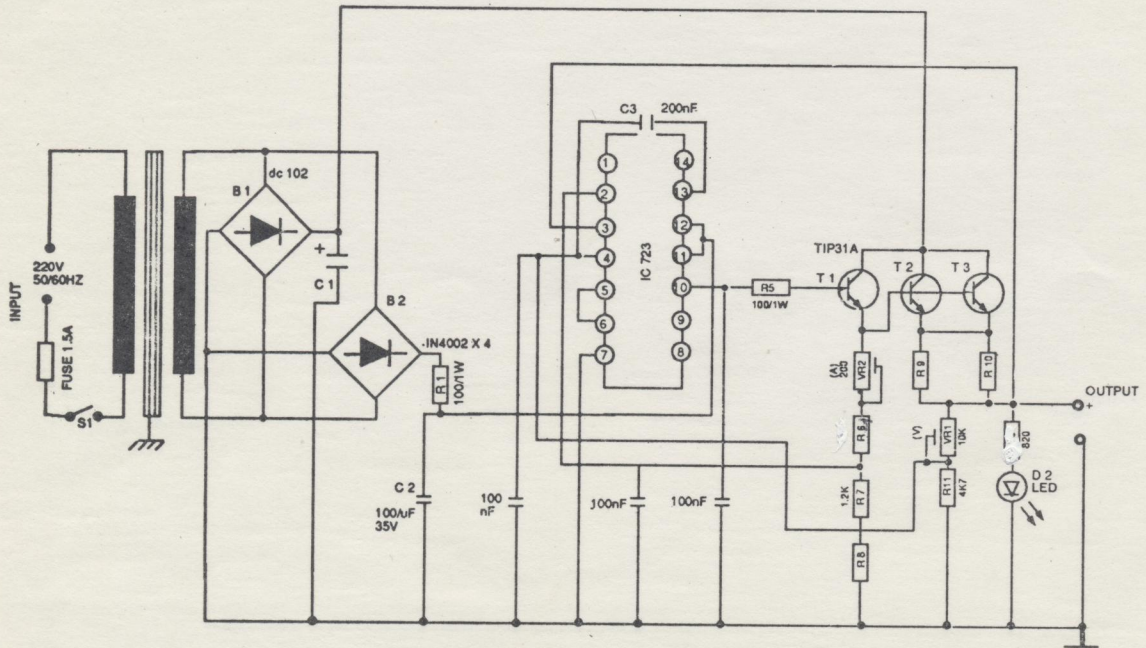
S.I.P.L.	RATING: 13.5V, 3-5 A
MODEL: 3/5 A	Dt: 10-5-93





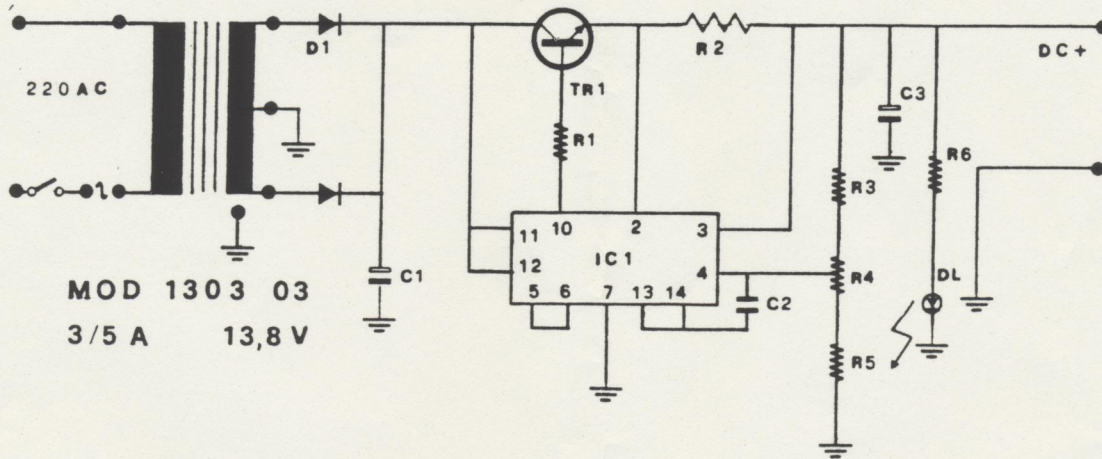
# SCHEMATIC CIRCUIT DIAGRAM OF POWER SUPPLY MODEL 507 A & 5010 A 13.8V / 13.5V, 7/9A & 10/12A

	7/9A	10/12A
T2	2N 3055	2N 3055
T3	-	2N 3055
C1	4700uF 35V	6800uF 35V
R9	0.11/10W	0.22/10W
R10	-	0.22/10W
R11	120 E	47 E



STABILIZED  
POWER  
SUPPLY WITH  
INTEGRATED  
CIRCUIT AT HIGH  
STABILITY

Input voltage: 240 V a.c. 50 Hz  
Output voltage: 13,8 V d.c.  $\pm 0,1$  V  
Current: 3/5A  
Stability: better than 0,5% with mains variations  
from  $-5\%$  to  $+10\%$  load variations from 0 to 3 A.  
Protection: electronic with current limiter Internal  
protection fuse 2 A.  
Ripple: 5 mV with 3 A load  
Cabinet: 10/10 sheet metal  
container with epoxy-based paint



MOD 1303 03  
3/5 A 13,8 V

R1 4,7 $\Omega$   
R2 0,10 $\Omega$  5W  
R3 1K $\Omega$   
R4 10K $\Omega$  TRIM. C1 2.200UF 35V  
R5 10K $\Omega$  C2 220PF  
R6 470 $\Omega$  C3 4,7 UF 35V

D1 2N5402 TR1 2N3055  
DL LED IC1 LM723