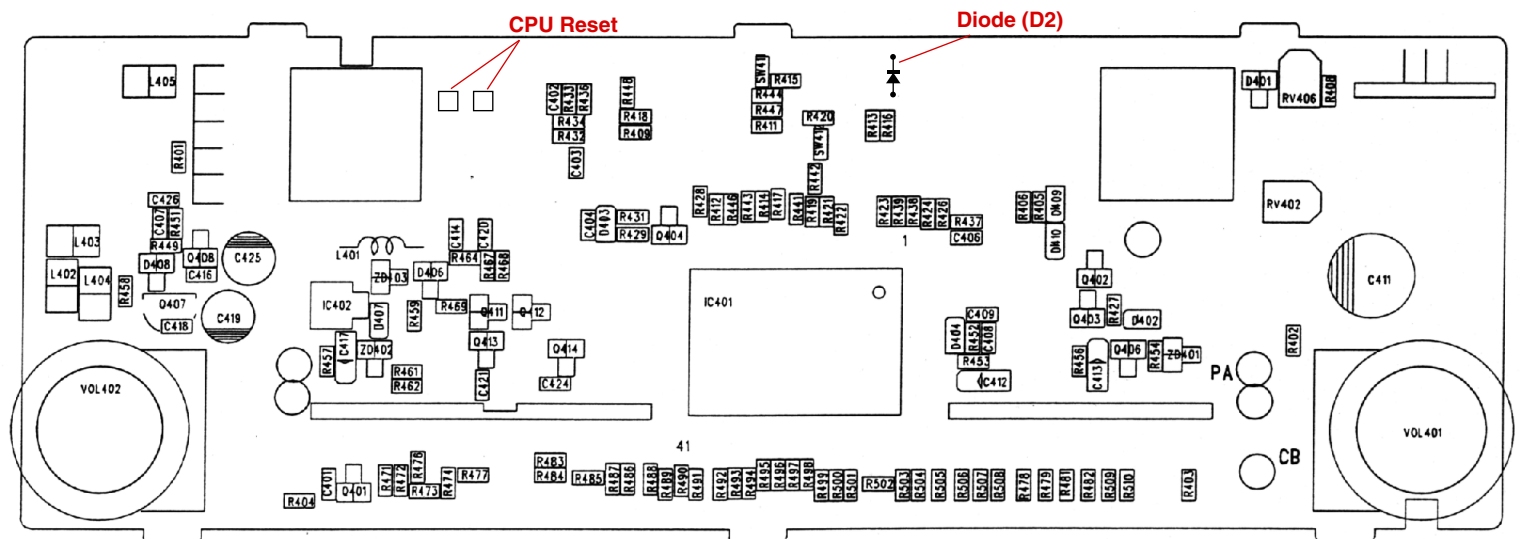
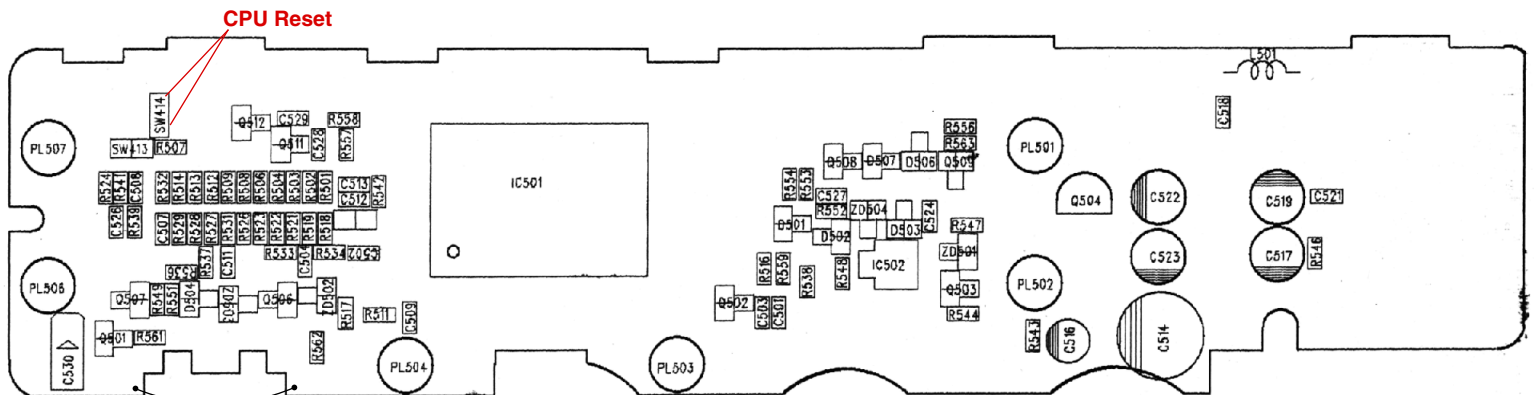


MAGNUM MARS / CAP Conversion



MAGNUM 257, 357DX and 457DX Front Panel PCB



MAGNUM DeltaForce and AlphaForce Front Panel PCB

Diode (D555)
Located behind frequency control knob.

1. Turn transceiver off.
2. Remove speaker side cabinet and locate front panel circuit board. Remove frequency control knob (DeltaForce and AlphaForce only).
3. Remove diode at D2 (257, 357DX and 457DX only). Remove diode at D555 (DeltaForce and AlphaForce only).
4. Reset CPU by temporarily shorting CPU Reset pads together. The best way to reset the CPU is use an "aligator" clip lead. Attach one end of the clip lead to circuit ground on the transceiver and touch both CPU reset pads with the other end of the clip lead.
5. The transceiver can now operate in either the standard 10 meter format (same as before conversion), or the expanded frequency format.
6. Upon turn on, the transceiver will always default to the standard 10 meter format. To switch between the standard and expanded formats, press the FUNC button and then press and hold down the CALL button for 3 seconds. This step may be done at any time to switch between standard or expanded format. Note: the transceiver will automatically return to the last operated frequency and mode in either format.
7. The expanded format is divided into 10 bands, lettered A through J. Each band covers approximately a 449 kHz frequency range, for a total coverage of 25.160 - 29.699 MHz.
8. In the expanded format the transceiver can display either the operating frequency or a channel. To switch between the frequency display and channel display, press the FUNC button and then press the CALL button. On the channel display, the single digit on the far left side of the LCD is the 1 kHz frequency position. The display may be switched between frequency and channel at any time.
9. To step through the 10 bands (A - J), press the CALL button. The band letter is displayed to the right of the frequency (or channel) on the LCD.
10. Due to CPU limitations, the split frequency and repeater tone burst feature is disabled in the expanded format. Also, in the expanded format the frequency can be changed in 1 kHz or 10 kHz steps only.